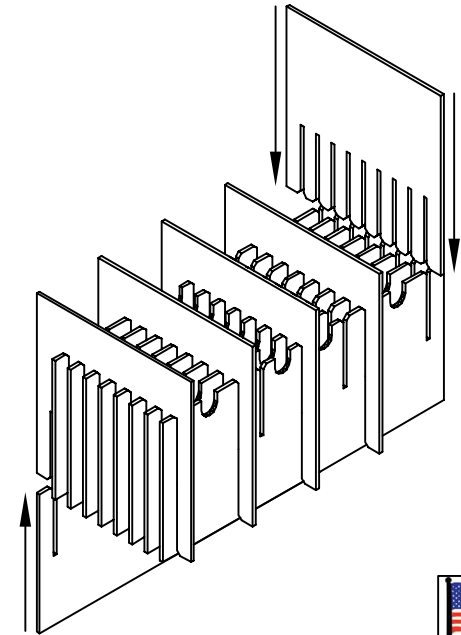
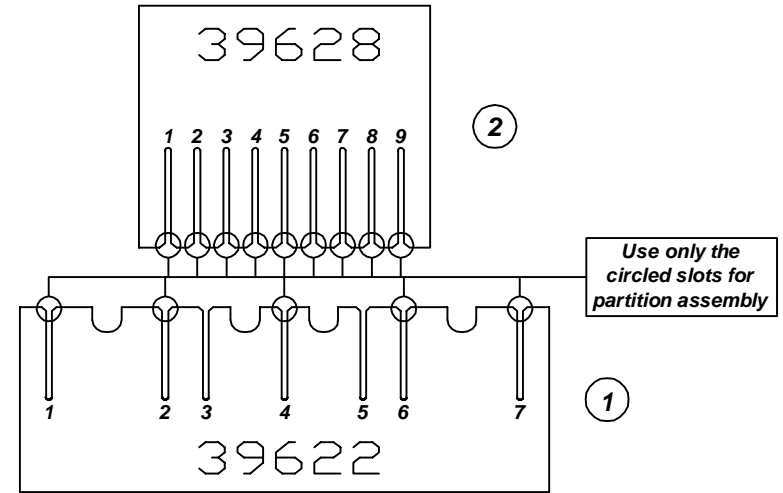
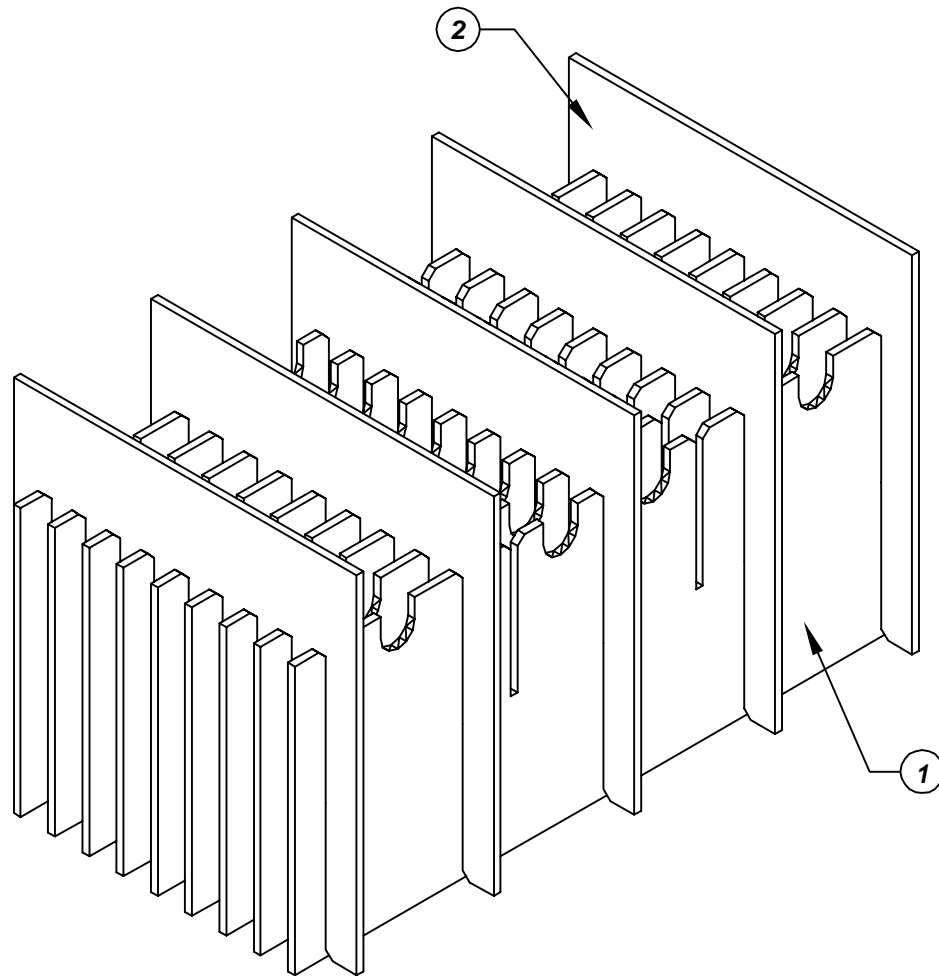


Assembly Instructions for - 37191



Made in America

F/N ①	Part # 39622	Dimensions: 19-3/4" x 22-3/4"	Description: 404/440-LP Long Partition	Qty: 9
F/N ②	Part # 39628	Dimensions: 25-1/2" x 12-1/2"	Description: 404-SP Short Partition	Qty: 5

37191 - 40 Cell Inplant Handler Cell Size - 12-5/8" x 4-3/4" x 1"

Notes:
For use with the following storage container & lid:
37504 - Storage Container
37552 - Lid

PROTEKTIVE PAK
13520 MONTE VISTA AVENUE, CHINO, CA 91710
PHONE (909) 627-2578, FAX (909) 363-7331
ProtektivePak.com



DRAWING NUMBER
IPH-37191

DATE
Dec. 2007