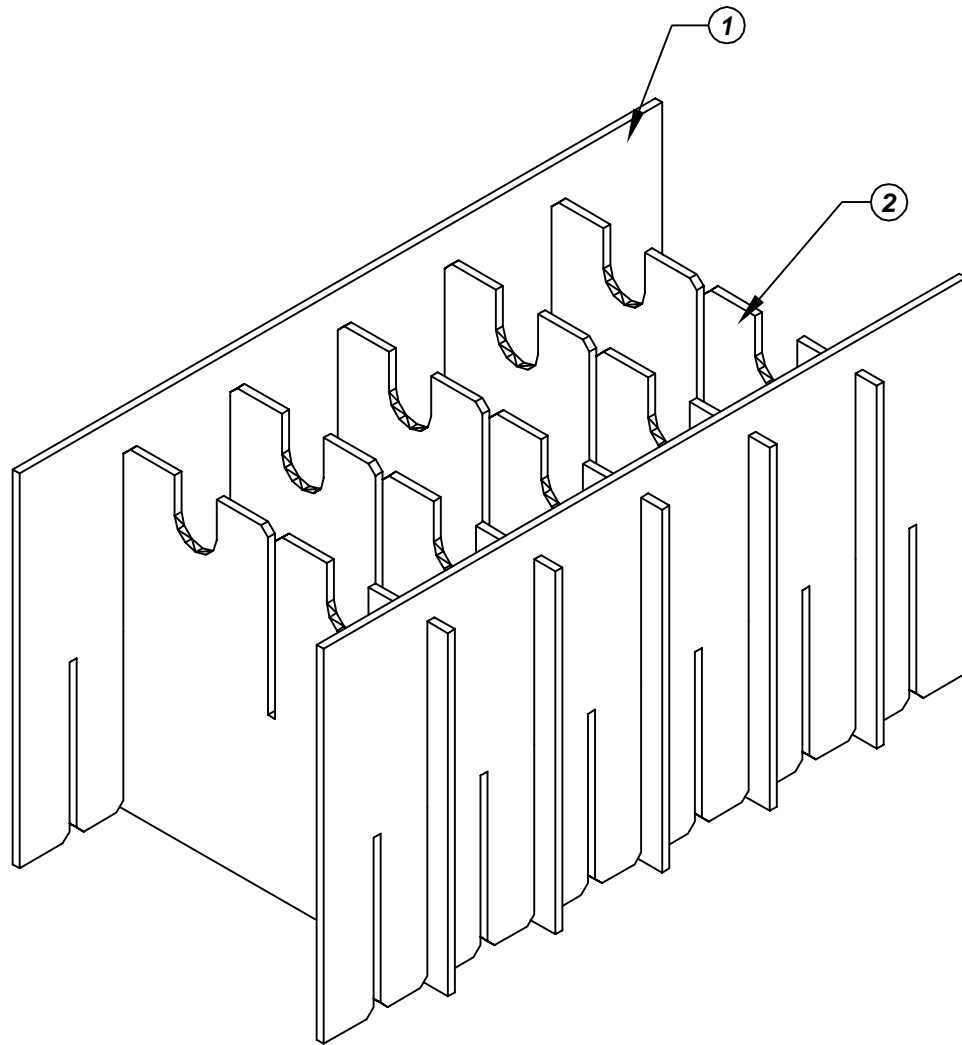
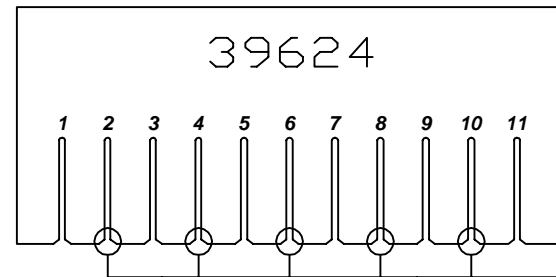


Assembly Instructions for - 37180

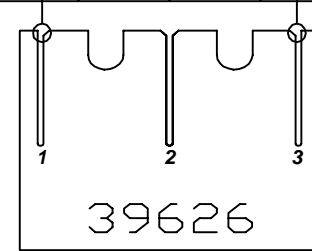


Folded Long Partition



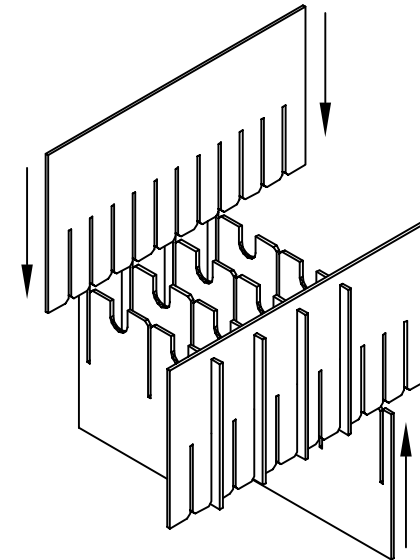
①

Use only the circled slots for partition assembly



②

Folded Short Partition



Made in America

F/N ①	Part # 39624	Dimensions: 24-3/4" x 23"	Description: 404-HLP Long Partition	Qty: 2
F/N ②	Part # 39626	Dimensions: 22-3/4" x 12-5/8"	Description: 404-HSP Short Partition	Qty: 5

37180 - 6 Cell Inplant Handler
Cell Size - 12-5/8" x 10-3/4" x 3-5/8"

Notes:
 For use with the following storage container & lid:
 37504 - Storage Container
 37552 - Lid

PROTEKTIVE PAK
 13520 MONTE VISTA AVENUE, CHINO, CA 91710
 PHONE (909) 627-2578, FAX (909) 363-7331
 ProtoktivePak.com

PROTEKTIVE PAK
 BURIED CONDUCTIVE LAYER

DRAWING NUMBER
IPH-37180

DATE
 Nov.
 2007