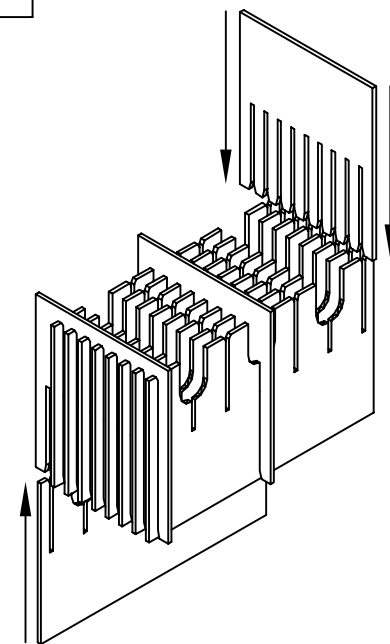
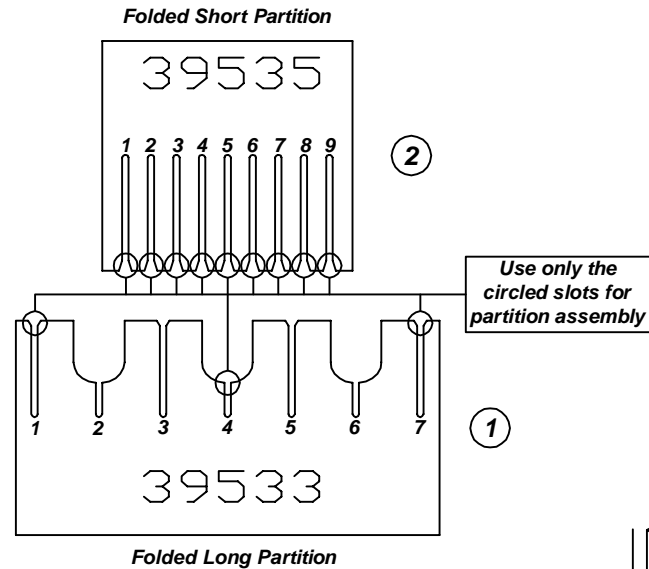
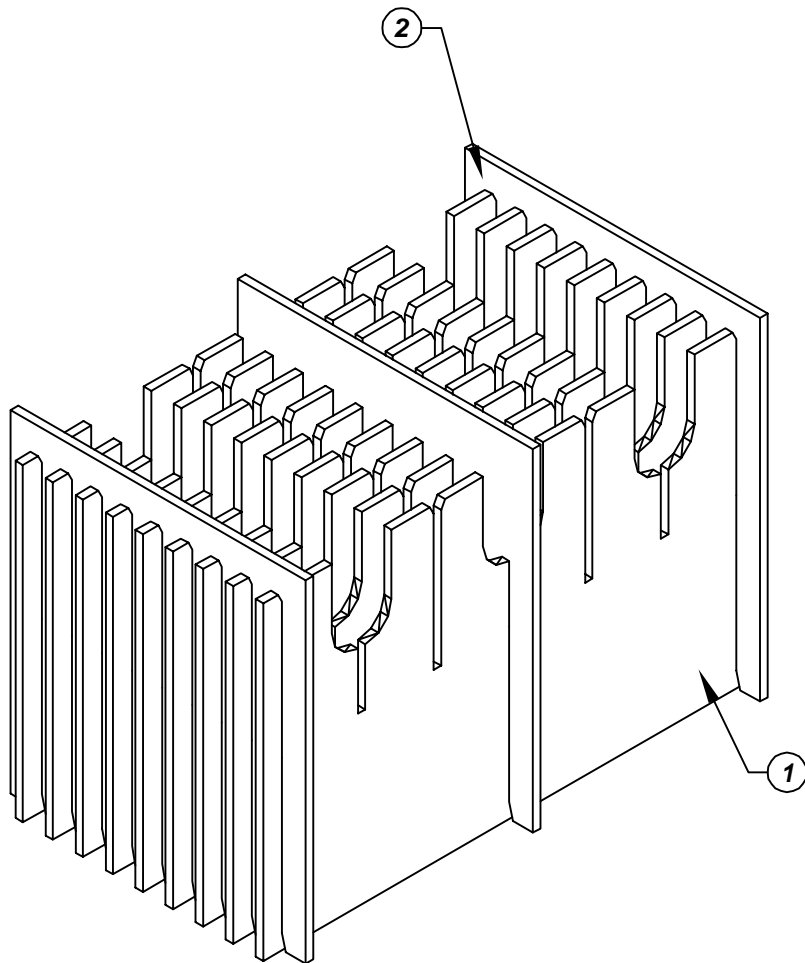


Assembly Instructions for - 37171



Made in America

| | | | | |
|----------|-----------------|-----------------------------------|--|-----------|
| F/N ① | Part # 39533 | Dimensions: 20-7/8" x 16-5/8" | Description: 402-LP Long Partition | Qty: 9 |
| F/N ② | Part # 39535 | Dimensions: 22-3/8" x 9-13/16" | Description: 402-SP Short Partition | Qty: 3 |

37171 - 20 Cell Inplant Handler Cell Size - 11-1/4" x 7-1/4" x 3/4"

Notes:
For use with the following storage container & lid:
37502 - Storage Container
37550 - Lid

PROTEKTIVE PAK
13520 MONTE VISTA AVENUE, CHINO, CA 91710
PHONE (909) 627-2578, FAX (909) 363-7331
ProtektivePak.com



DRAWING NUMBER
IPH-37171

DATE
Dec.
2007