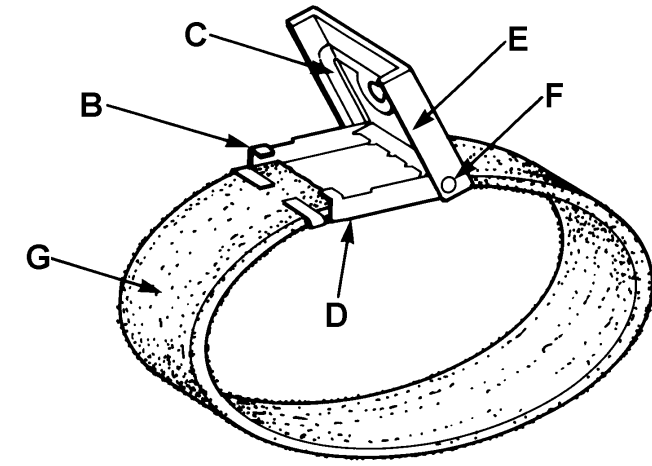
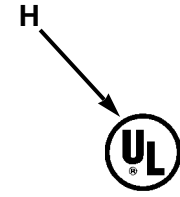
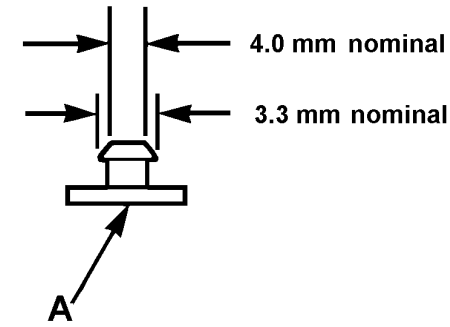
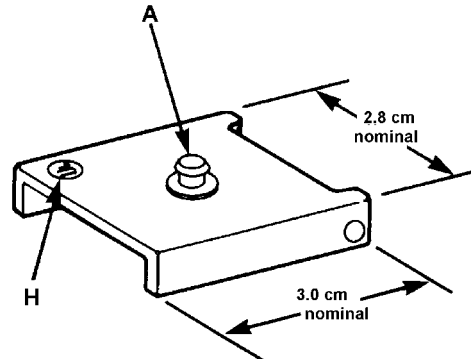




- A. 4 mm series stainless steel stud machined to precision profile. To fit 4 mm spring loaded medical snap. Durable, providing long life well beyond that of sheet metal snaps.
  - B. 302 series stainless steel tabs secure fabric material in place.
  - C. 302 series stainless steel hinge maintains electrical continuity even when open.
  - D. Base plate, for skin contact, 302 series, non-allergic stainless steel.
  - E. Insulating cap, white ABS thermoplastic.
  - F. Eccentric hinge allows wide opening for easy adjustment when opened, and exerts significant force on band material to secure against base plate when closed.
  - G. Knitted elastic tubular band material of navy blue fibre, 19.0 mm wide, 3.0 mm thick and 20.0 cm long. It contains two parallel electrical paths. The fibre contains 14.3% of 167 denier silver coated nylon, 34.6% of 310 denier clear Lycra Spandex and 51.1% of 150 denier textured polyester.
  - H. Underwriters Laboratory listed 90P1C.
- Minimum wrist circumference = 64 mm.  
Maximum wrist circumference = 381 mm.
- All bands also available with 7mm snaps



|              |                |
|--------------|----------------|
| <b>60032</b> | Band only, 4mm |
|--------------|----------------|

The adjustable wrist band is manufactured under US patent #4,662,695. It is designed to satisfy wrist strap requirements of IEC 61340-5.



### Wristband, Elastic, Adjustable

CHARLESWATER EUROPE LTD.  
UNIT 17. MILLBROOK BUSINESS PARK, SYBRON WAY  
CROWBOROUGH, EAST SUSSEX TN6 3JZ UNITED KINGDOM  
PHONE: 00 44 (0) 1892-665313, FAX: 00 44 (0) 1892-668838  
INTERNET: www.charleswater.co.uk

Drawing Number  
**60032.E**

DATE:  
**06/01**