



**Trash Receptacle Liner**

**Description:**

Black static dissipative polyethylene trash receptacle liner. Conventional polyethylene trash can liners can easily generate tens of thousands of volts of static electricity and should not be used in static sensitive environments. These black static dissipative trash receptacle liners will reduce static generation to less than 70 volts.

ESD Handbook TR 20.20 paragraph 2.4 "It should be understood that any object, item, material or person could be a source of static electricity in the work environment. Removal of unnecessary nonconductors, replacing nonconductive materials with dissipative or conductive materials and grounding all conductors are the principle methods of controlling static electricity in the workplace, regardless of the activity."

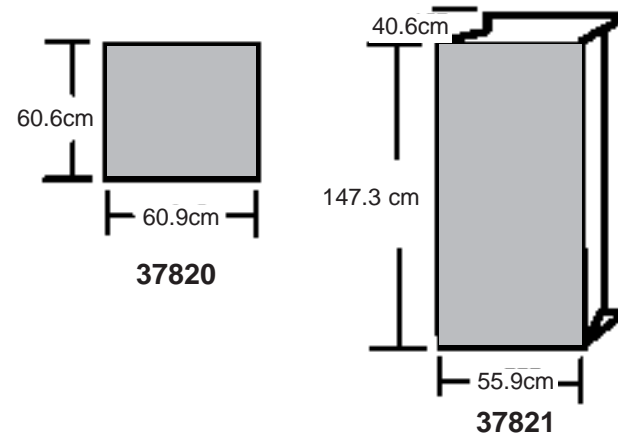
**Specifications:**

Material: Static dissipative polyethylene  
 Color: Black  
 Surface Resistance: 10E5 - 10E9 ohms  
 Static Generation: 70 Volts at 50% RH  
 Thickness: 0.0381mm (1.5 mil)  
 Package: 50 liners per pack

Item No.	Description
37820	TRASH LINER 37.85L
37821	TRASH LINER 208L

**Trash Receptacles available**

Item No.	Description
37810	Trash Receptacle 34.2X30.5X33.7CM, 34.8L, wire frame and handles
37811	Trash Receptacle 34.2X30.5X33.7CM, 34.8L, receptacle only
37812	Trash Receptacle 58.1X32.7X81.3CM, 151.4L, with wire frame and handles
37813	Trash Receptacle 58.1X32.7X81.3CM, 151.4L, receptacle only



**ESD Trash Receptacle Liners**

**PROTEKTIVE PAK**

PROTEKTIVE PAK  
 13520 MONTE VISTA AVENUE, CHINO, CA 91710  
 PHONE (909) 627-2578, FAX (909) 363-7331  
 www.protektivepak.com

DRAWING NUMBER

**37820.E**

DATE

**8/07**